

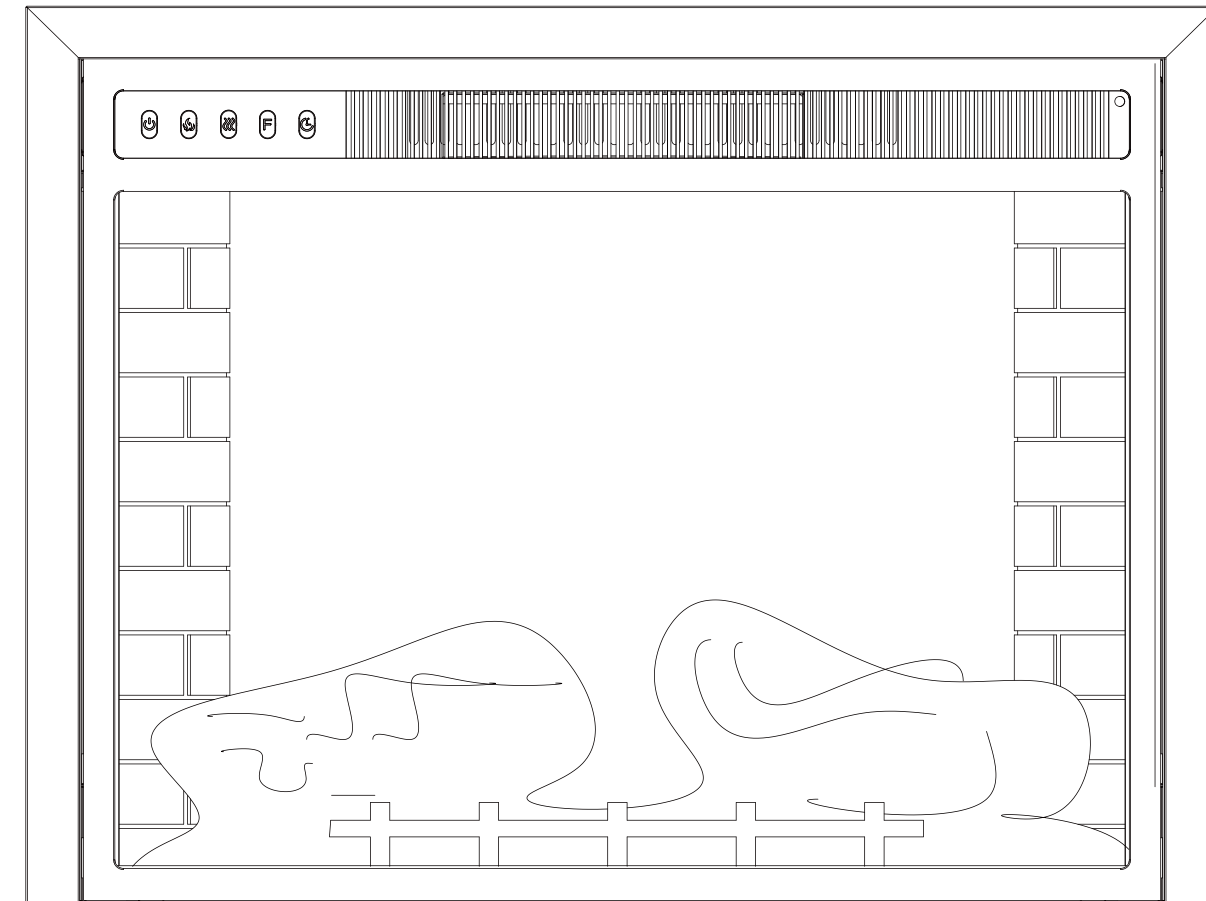
TROUBLESHOOTING

**! WARNING:** Turn off the appliance, unplug and let cool for at least 10 minutes before attempting to service. Only a qualified professional should attempt to service or repair the appliance.

Problem	Possible Cause	Corrective Action
	<ol style="list-style-type: none"> <li>1. Dimmer control button is set too low.</li> <li>2. Light bulbs are burned out.</li> <li>3. "Flame wand" has come loose from bracket.</li> <li>4. "Flame wand" motor is not functioning.</li> </ol>	<ol style="list-style-type: none"> <li>1. Push button E "+" to increase light.</li> <li>2. Inspect light bulbs and replace if necessary. (see Maintenance section of this manual)</li> <li>3. Remove back panel. Secure end of "flame wand" back into the support bracket.</li> <li>4. Call for Technical Service.</li> </ol>
The appliance turns off and will not turn back on	<ol style="list-style-type: none"> <li>1. The overheat protection device in the appliance has been triggered.</li> <li>2. House circuit breaker has been tripped.</li> </ol>	<ol style="list-style-type: none"> <li>1. Turn all controls off, unplug the appliance, allow to cool for at least 10 minutes, then plug back in and restart.</li> <li>2. Reset house circuit breaker.</li> </ol>
The appliance does not turn on when the button is pushed to "ON"	<ol style="list-style-type: none"> <li>1. The overheat protection device in the appliance has been triggered.</li> </ol>	<ol style="list-style-type: none"> <li>1. Turn all controls off, unplug the appliance, allow to cool for at least 10 minutes, then plug back in and restart.</li> </ol>
Remote control does not work	<ol style="list-style-type: none"> <li>2. Low batteries.</li> <li>3. Manual controls on the appliance must be "ON" before operating the remote control.</li> </ol>	<ol style="list-style-type: none"> <li>1. Replace all batteries in the remote control.</li> <li>2. Push the appliance "ON" using the manual control panel, then use remote control to operate. If using the remote control to operate the appliance, you must also turn the appliance "ON" using the remote control.</li> </ol>

26 IN. ELECTRIC FIREPLACE

MODEL#PD2616F

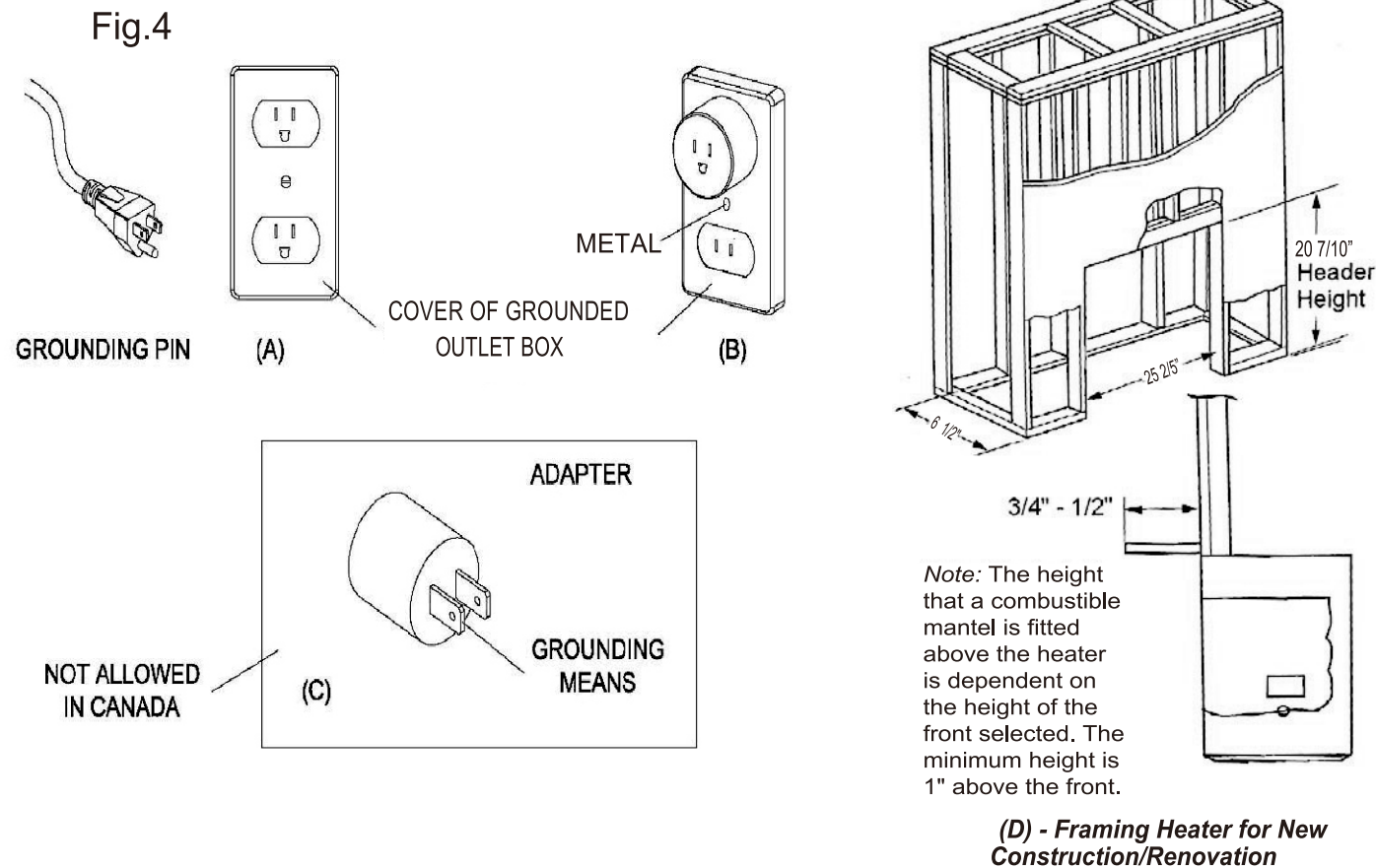


## INSTALLATION INSTRUCTIONS

### PLUGGING IN THE HEATER(Refer to Fig.4):

This heater is for use on 120 Volts. The heater has a 3-prong grounded plug (fig. A). If your electrical outlet has only 2 slots (fig. B), you will have to use an adapter (fig. C) to convert from the 3-prong power cord to a 2-slot receptacle. The green grounding plug extending from the adapter must be securely connected to a permanent ground such as a properly grounded outlet box. The adapter should only be used if a proper 3-slot receptacle is not available.

NOTE: Adapters are not allowed for use in Canada.



A 15 AMP circuit is required to operate this appliance. If the breaker trips when the appliance is running, you may need to move the appliance to another location or unplug other appliances that are on the same circuit.

## SAFETY INFORMATION

Please read and understand this entire manual before attempting to assemble, operate or install the product.

**WARNING:** Any use of this appliance other than that recommended by the manufacturer in this owners manual may cause fire, burns, electric shock and/or other serious injuries or death.

When using electrical appliances, basic precautions should always be followed to reduce the risk of fire, electric shock and injury to persons including the following:

1. Read the manufacturers instructions completely before using this appliance.
2. This appliance will become hot when in use. To avoid burns, do not let bare skin touch hot surfaces. The grill at the top of this heater in particular will become hot when the heater is active. Take special care not to block the air intake or exhaust vents.
3. Extreme caution is necessary when the appliance is used by or near children or invalids and whenever the heater is left operating and unattended.
4. Do not operate the heater if the power cord or plug has been damaged or the heater has been damaged or malfunctioned in any way. Take the appliance to an authorized service facility for examination, electrical or mechanical adjustment or repair.
5. Do not use outdoors.
6. This heater is not intended for use in bathrooms, laundry areas and similar indoor locations. Never locate heater where it may fall into a bathtub or other water container.
7. To disconnect the appliance, turn all controls "OFF", and then remove the plug from the electrical outlet.
8. The appliance comes equipped with a 3 prong-grounding plug. Do not cut the grounding prong. Connect to properly grounded 120V outlets only.
9. Do not insert or allow foreign objects to enter any ventilation or exhaust openings as this may cause an electric shock or fire, or damage the appliance.
10. To prevent a possible fire, do not block air intakes or exhausts in any manner. Do not use on soft surfaces, like a bed, where openings may become blocked.
11. All electrical heaters have hot and arching or sparking parts inside. Do not use in areas where gasoline, paint, or flammable liquids are used or stored or where the appliance will be exposed to flammable vapors.
12. Avoid using the appliance with an extension cord. Extension cords may overheat and cause a risk of fire. If an extension cord MUST be used, the cord must be No. 16AWG minimum size and rated not less than 1875 Watts. The extension cord must be a 3-prong cord with grounding type plug and cord connection and should not exceed 20' (6m) in length.
13. When transporting or storing the heater, take care to keep both the unit and power cord/plug dry, free from excessive vibration and away from heat sources.
14. Use the heater only as described in this manual. Any other use not recommended by the manufacturer may cause fire, electric shock, or injury to persons.
15. Do not attempt to burn wood or other materials in this heater.

---

## TABLE OF CONTENTS

---

Safety Information.....	3
Operation Instructions.....	4
Installation Instructions.....	5
Care and Maintenance.....	6
Troubleshooting.....	7

---

## CARE AND MAINTENANCE

---

**⚠ WARNING:** Before attempting to perform any maintenance on this appliance, turn all controls to the “OFF” position and unplug. Allow the appliance to be “OFF” for at least 10 minutes before performing any maintenance in order to allow all components to cool properly.

### LED Bulb Replacement

Note: The flame effect on this electric fireplace insert is created by LED Bulbs. The life of these LED bulbs will be 100,000 hours. The users are not recommend to Replace the LED Bulbs. For any reason should the bulbs stop working properly, contact a qualified technical.

**⚠ WARNING AND CAUTIONS**

**WARNING** To avoid electrical shock not open the back panel of the insert unless the power has been turned off, and the insert has been unplugged.

**WARNING** Any electrical repairs to this fireplace, should only be performed by a qualified Technician.

**WARNING** Any electrical wiring repairs should be performed by a qualified technical, and Also must comply with local building codes.

**WARNING** Discontinue use of this electric fireplace if any of the follow has occured; Water damage,if insert has been dropped or dented, if power cord has become broken, if Power cord becomes hot too touch, if unit smokes or smells like smoke.

**NOTE:** When the heat function is used for the first time, a slight odor may be present. This is normal and should not occur again unless heater is not used for extended Periods of time and dust is allowed to accumulate on heater element.

### Cleaning:

- To remove dust from glass window, use clean dry cloth.
- To remove fingerprints or other marks from glass window, use clean damp cloth. Do not spray glass cleaner or other liquids directly onto the window.
- Clean metal surfaces with a clean damp cloth making sure not to push dust or debris into any air intake or exhaust vents.
- Do not use abrasive cleaners or spray liquids on any part of the appliance.
- Periodic cleaning/vacuuming of the fan/heater unit is strongly recommended to ensure that no dirt or foreign objects build up.

### Zero Clearance Fireplace

The electric fireplace has zero clearance safety technology, with the advanced zero clearance safety sensor, if there is something covering or closing the slide outs, after about 20 seconds, the appliance will switch off power automatically. Then pull the plug out, Let the appliance cool down for 3 minutes, Plug the power cord again, the fireplace will be working again.

**OPERATING INSTRUCTIONS:**

Read all instructions and warning prior to operating the appliance.

Ensure that all controls are in the "OFF" position before plugging the appliance in to a properly grounded electrical outlet.

The control panel of the appliance is located behind the wire grate above the window on the front (Fig. 1).

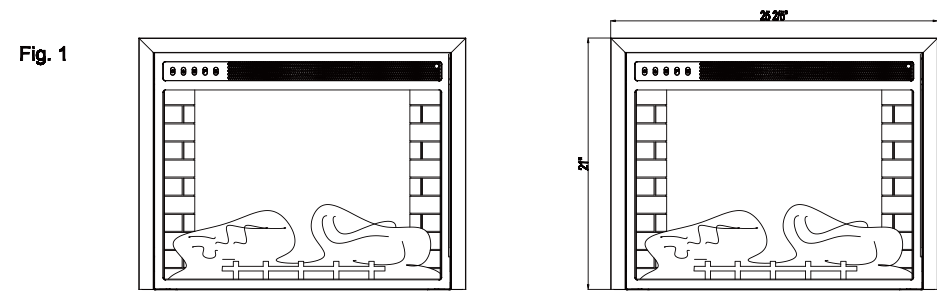


Fig. 1

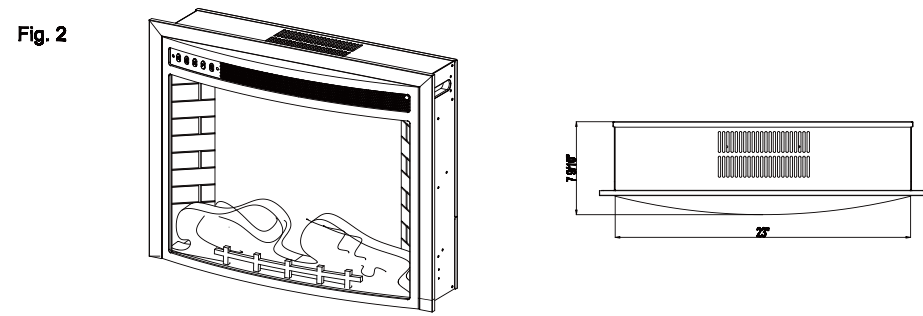
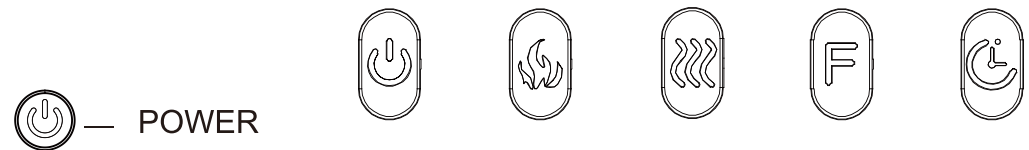


Fig. 2


TO ACCESS CONTROL PANEL

Control panel can be accessed at upper-right corner of insert.



 — POWER


After unit is plugged the power, Press the power button first time, starting up, touch it second time, the power shut down.

 — TEMP

Temperature setting. The highest temperature of thermostat is 82F°, there are several levels you can cycle through between 62F° and 82F° and the OFF setting.

 — HEATER

This fireplace insert consists of a fan forced electric heater with two heat settings, 750 watts or 1,500 watts. For low heat, push the temperature button once (indicator light on will illuminate). For high heat, push the temperature button a second time (indicator light will illuminate).

 — FLAME

Flame brightness. Each time the flame button is pressed, the intensity of the flame decreases. There are 5 brightness levels you can cycle through and OFF setting.

 — TIMMER

Timer setting. Press the TIMER button will cycle through the 8 timer settings (1 Hour, 2H, 3H, 4H, 5H, 6H, 7H, 8H) and the OFF setting.

Note: When a function is changed from the control panel or remote control there will be a corresponding indicator (see Figure 2) on the upper-right of the projection screen. The indicator shows the function changed and the level selected by the control panel or remote control. When the function is turned off, the corresponding indicator will flash several times and then fade off.

REPLACING THE REMOTE CONTROL BATTERY

When the remote control stops operating or its range seems reduced, it is time to replace the battery with a new one.

1. The battery compartment is located on the back end of the remote.
2. Press and slide the battery door open and remove the old battery.
3. Insert a CR2025 battery, checking that the "+" and "-" terminals of the battery matches the inside of the battery compartment.
4. Replace the battery compartment door.

Note: Do not mix old and new batteries.

Do not mix alkaline, standard (carbonzinc), or rechargeable (nicad, nimh, ect)

Batteries. Flame and/or heat can work separately or together.

**WARNING:**

Like with any remote control unit, the remote control unit included with your fireplace may unwantedly affect or control other electric products such as TVs. If this occurs, you can change the encryption on your fireplace remote so that it will not affect other products. To change the settings on your fireplace remote, hold down the Timer button on the fireplace remote for 3 seconds. To test, use your fireplace remote and see if your other products are still affected. If so, you may change your fireplace remote to a third encryption by again holding down the Timer button on the remote for 3 seconds. To test this third encryption setting, use your fireplace remote and see if your other products are still affected. To get back to the original encryption setting, hold down the Timer button on the fireplace remote for 3 seconds.

